

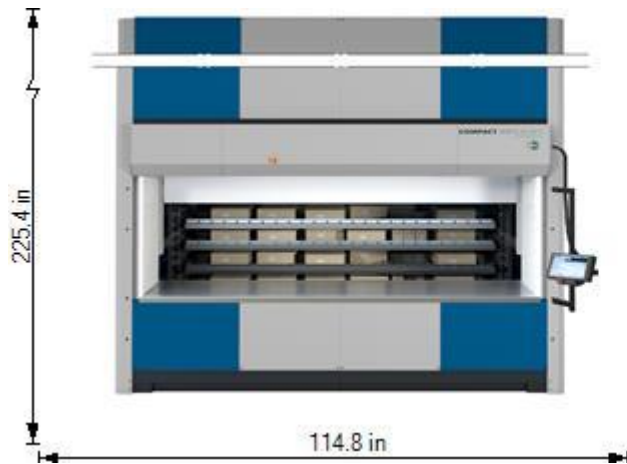


---

# Technical specification

Material Handling USA  
Project number 19828





## Component specification summary

Count	Article number	Description
1	CLS2440-5726	Compact Lift 2440 start-5726
26	FTR2448230	Tray 661.4lbs
1	1370170435	Fall protection service kit
1	STNDCOLB-old	Blue RAL 5001
1	STNDCOLS-old	Silver Ral 9006
1	FWES01	WES for T50
1		Shipping
1		Installation

## Control system - WES

WES is a lift-internal article registry without connections to other vertical lifts or supervising systems. The registry is stored internally in the vertical lifts control system through manual entry or by reading from file. The registry contains article number, description, amount, as well as the tray the article is placed on. The registry contains search and sorting functions as well as import from and export to a file.

Count	Article number	Description
1	FWES01	WES for T50

## Component specification - Compact Lift 2440 start-5726 (1)

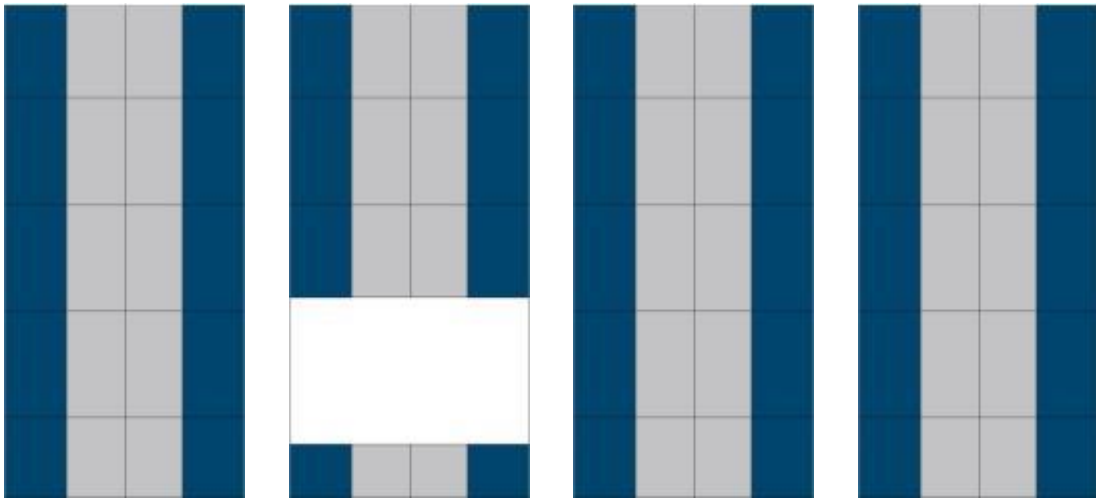


Count	Article number	Description
1	CLS2440-5726	Compact Lift 2440 start-5726
26	FTR2448230	Tray 661.4lbs, 11.8 in
1	1370170435	Fall protection service kit

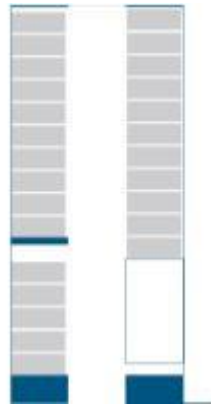
Opening  
1

## Cladding

Left - Front - Right - Back

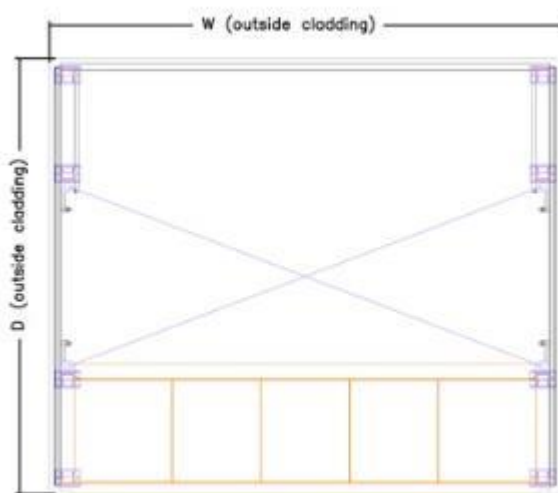


## Trays



Approximate utilization: 95%, 559.9ft<sup>2</sup>, 551.3ft<sup>3</sup>

## Offered equipment and conditions



Height	225	in
External width (W)	115	in
External depth (D)	118	in

Measurements		
opening 1		
Electrical cabinet protrusion	5	in
External depth (D) (lift+electrical cabinet)	123	in

Floor area	94.1	ft <sup>2</sup>
Number of openings	1	pc



Tray		
Height	2	in
Edge	2	in
Internal width	96	in
Internal depth	32	in
Capacity	661	lbs
Weight	79.4	lbs
Fully galvanized with smooth bottom		

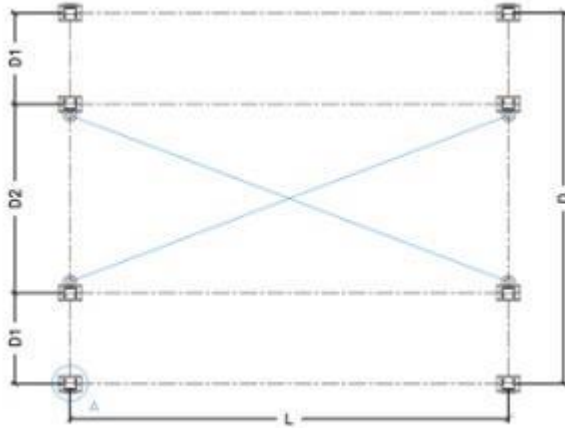
Measurements are for an unloaded tray.

Depth may be reduced by up to 20 millimeters depending on load and load distribution.

The tray has a declension of up to 20 millimeters.

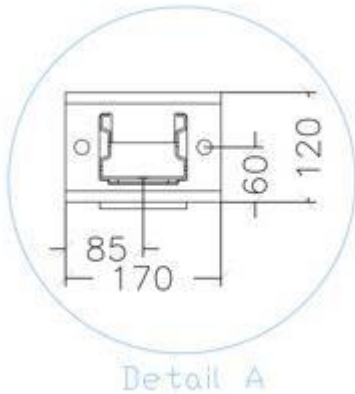


## Technical specification



Foot placement/load	
L=width cc foot	105 in
D=depth cc foot	109 in
D1=depth cc foot in frame	27 in
D2=depth cc foot in shaft	52 in

Footplate 6.7\*4.7 in



Floor load	
Lift weight excluding trays	5,002 lbs
Lift weight including trays	7,066 lbs
Lift weight with fully loaded trays	24,262 lbs
Floor load	258 lbs/ft <sup>2</sup>
Load-bearing surface, foot plates	253 in <sup>2</sup>
Max load per lift	50 Ton
Partition between load angles	1 in
Space between top of the goods and bottom of nearest tray	1 in
Automatic integrated weight control to ensure that maximum load is not exceeded	Yes
Automatic measurement of goods height with 25 mm intervals, 50 mm - 575 mm	Yes
Dynamic handling of goods heights	Yes
Stock optimization by volume	Yes
Stock optimization on frequency	Yes
Horizontal speed	0.45-0.67 mph
Vertical speed, dependent on tray weight	1.12-2.01 mph
Control system for handling the trays manually in the operator terminal	Yes
Multiple language choices in operator terminal	Yes
Frequency converter, lift	7.5 kW
Frequency converter, tray	0.75 kW
Vertical engine, drive/gear	4 kW



---

Horizontal engine	0.75	kW
Noise level, one meter from opening (dB (A))	<70	dB(A)
Ambient temperature	35.6-104	°F
Humidity	10-85	%RH
Voltage, 3-phase	480	VAC 60Hz
Not over earth fault switch, if earth fault switch is required Schneider Acti 9 iID-EarthFaultCircuitBreaker-4P-40A-300mA or equivalent is recommended		
Power, AC	20	A
Height to opening 1 (mm)	35	in
Height to floor for opening 1 (mm)	0	in
Opening 1 placement	Front	

General information

Horizontal photocells in the rear work opening for measuring height of goods  
Light curtain as entrance guard and clamp guard are activated during operation  
Vertically working photocells for position control of the washers  
Emergency stop in the handling opening  
Error codes in clear text at the operator terminal  
Made in Sweden

Count	Article number	Appellation	Net price total
1	CLS2440-5726	Compact Lift 2440 start-5726	Included
26	FTR2448230	Tray 300kg	Included
1	FWES01	WES for T50	Included
1	1370170435	Fall protection service kit	Included
1		Shipping	Included
1		Installation	Included