



ELITE LOCKERS
BETTER BUILT, LONGER LASTING



ELITE LOCKERS

Vented Frame | Rugged Construction
Built Better | Longer Lasting



DASCO
storagesolutions

info@dascostorage.com
www.dascostorage.com

ELITE LOCKERS

Meet the new standard for corridor lockers.

The Elite series of lockers raises the bar for corridor locker strength and durability. The increased thickness of steel throughout the entire locker allows Elites to surpass every competitor's standard locker offering.

- + 14-gauge steel outer door panels, 20-gauge liner
- + 20-gauge standard oyster body panels
- + 16-gauge galvanized shelves, tops, and bottoms
- + Full-length integrated hinge and frame
- + Single-point latch
- + Multi-compartments per locker available



VERSATILITY IN ONE DESIGN

Ideal for heavy-duty use in schools, locker rooms, industrial environments, government, sports facilities, educational, commercial, and mining industries. Available in many powder-coated finishes.



14-gauge door panel,
20-gauge liner

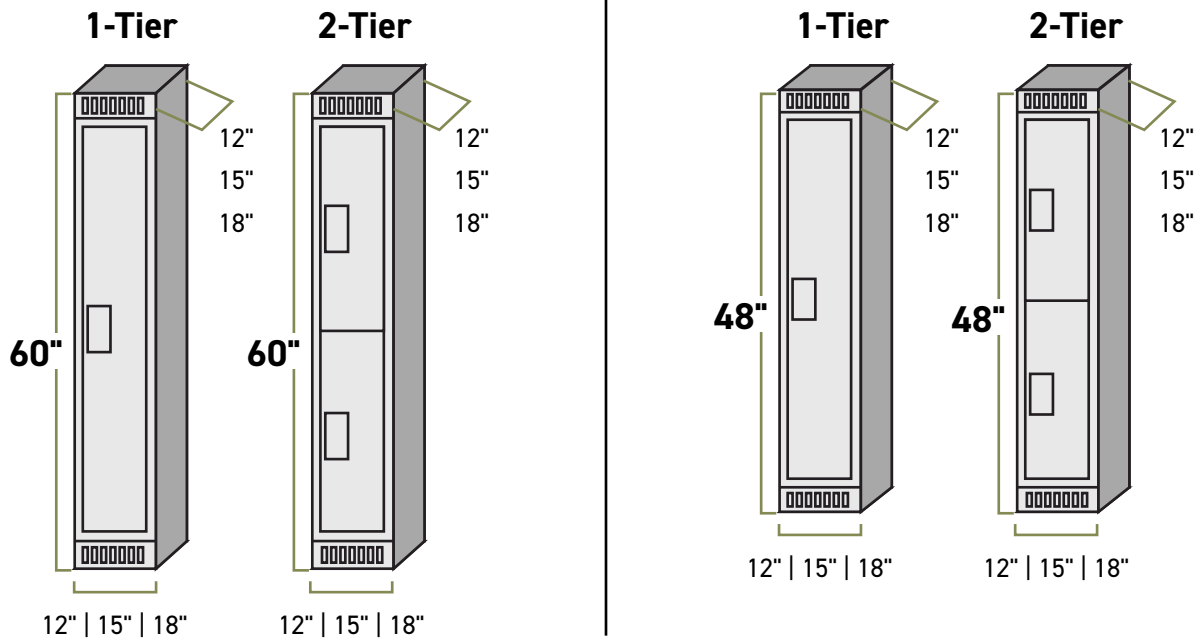
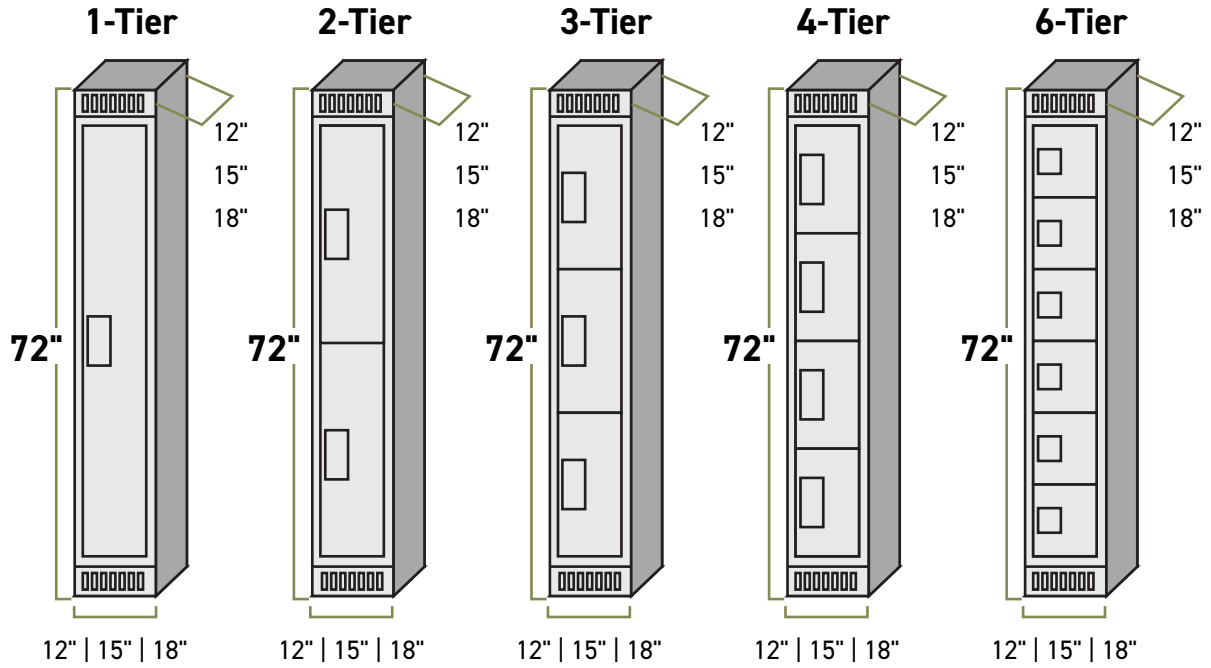


Quiet-close feature



Single-point latch

AVAILABLE SIZES



Vented Frame | Rugged Construction
Built Better | Longer Lasting



info@dascostorage.com
www.dascostorage.com